

Electromechanical operator for sliding gates



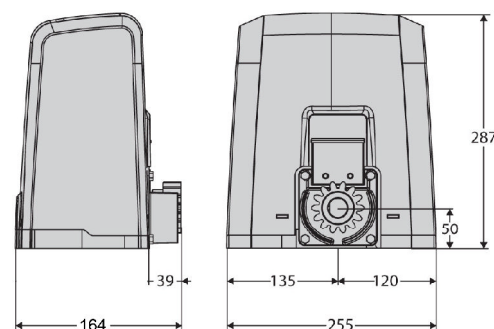
- Range of residential operators for sliding gates weighing up to 800kg. Electromechanical limit switch, 230V supply power.



Technical Features

U-Link	No
Control Unit	SHYRA-F AC
Board Power Supply	230V
Motor Power Supply	230V
Power Input	300W
Leaf Weight	800 kg
Leaf Speed	9 m/min
Type of Limit Switch	Electromechanical
Pinion Module	4
Slowdown	No
Locking	Mechanical
Release	Lever-operated with personal key
Frequency of Use	Semi Intensive
Environment Conditions	from -20 °C to 55 °C
Protection Rating	IP24
Actuator Weight	9.4 kg
Impact Reaction	Mechanical Clutch

Dimensions



Control Panel



* Design and specifications are subject to change without notice

Accessories



RADIUS B LTA 230 R2
Flashing Light



MITTO B RCB02 R3
Transmitter 2 Channel



ERIS A30
Wireless Photocell