

## Electromechanical operator for sliding gates



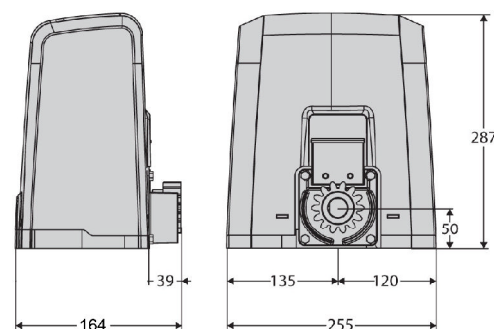
- Range of residential operators for sliding gates weighing up to 600kg. Electromechanical limit switch, 230V supply power.



### Technical Features

U-Link	No
Control Unit	SHYRA AC
Board Power Supply	230V
Motor Power Supply	230V
Power Input	400W
Leaf Weight	600 kg
Leaf Speed	11 m/min
Type of Limit Switch	Electromechanical
Pinion Module	4
Slowdown	No
Locking	Mechanical
Release	Lever-operated with personal key
Frequency of Use	Semi Intensive
Environment Conditions	from -20 °C to 55 °C
Protection Rating	IP24
Actuator Weight	7 kg
Impact Reaction	Mechanical Clutch

### Dimensions



### Control Panel



\* Design and specifications are subject to change without notice

### Accessories



RADIUS B LTA 230 R2  
Flashing Light



MITTO B RCB02 R3  
Transmitter 2 Channel



ERIS A30  
Wireless Photocell