

Electromechanical operator for fast Speed sliding gates



- Powerful, sturdy 230V single phase sliding gate operators, special designed for large size and heavy gates. The heavy structure of the gear motor, the painted galvanised steel casing and the on board control panel make it the ideal solution for all industrial situations where reliability and power are essential.
- Travel limit can be adjusted simply with the lever arm electromechanical limit switch system, giving absolute precision stopping.
- The powerful electric brake allows very limited stopping spaces, despite the considerable weight of the gates on which this operator is used.



ee link



er ready

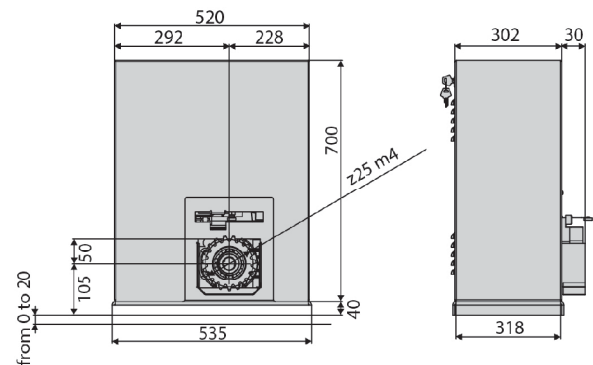


tri

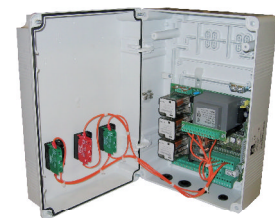
Technical Features

U-Link	Yes
Control Unit	SIRIO C BA 230 INV
Board Power Supply	230V
Motor Power Supply	230V
Power Input	750W
Leaf Weight	2000 kg
Leaf Speed Open	39 m/min
Leaf Speed Close	25 m/min
Type of Limit Switch	Electromechanical
Pinion Module	4
Slowdown	No
Locking	Mechanical
Release	Hexagonal key
Frequency of Use	Very Intensive
Environment Conditions	from -10 °C to 50 °C
Protection Rating	IP24
Actuator Weight	60 kg
Impact Reaction	Stop and Reversing

Dimensions



Control Panel



* Design and specifications are subject to change without notice

Accessories



RADIUS B LTA 230 R2
Flashing Light



MITTO B RCB02 R3
Transmitter 2 Channel



ERIS A30
Wireless Photocell



B EBA Blue Entry Android 4
Blue-Tooth Module