

Electromechanical operator for sliding gates



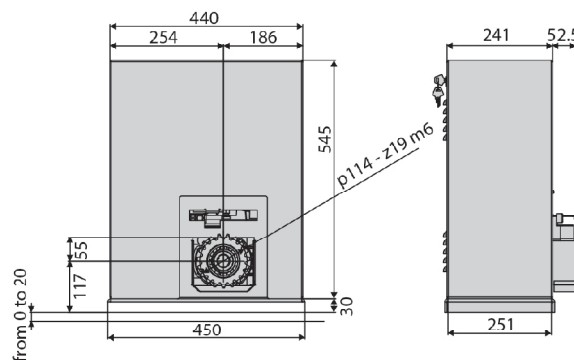
- Powerful, sturdy 400V three-phase sliding gate operators, special designed for large size and heavy gates. The heavy structure of the gear motor, the painted galvanised steel casing and the on board control panel make it the ideal solution for all industrial situations where reliability and power are essential.
- Travel limit can be adjusted simply with the lever arm electromechanical limit switch system, giving absolute precision stopping.
- The powerful electric brake allows very limited stopping spaces, despite the considerable weight of the gates on which this operator is used.



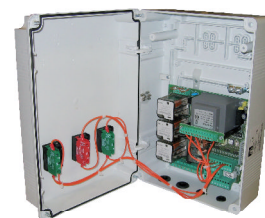
Technical Features

U-Link	No
Control Unit	SIRIO TEL
Board Power Supply	400V
Motor Power Supply	400V
Power Input	550W
Leaf Weight	3500 kg
Leaf Speed	10 m/min
Type of Limit Switch	Electromechanical
Pinion Module	6
Slowdown	No
Locking	Mechanical
Release	Hexagonal key
Frequency of Use	Very Intensive
Environment Conditions	from -15 °C to 50 °C
Protection Rating	IP54
Actuator Weight	54 kg
Impact Reaction	Mechanical Clutch

Dimensions



Control Panel



* Design and specifications are subject to change without notice

Accessories



Radius B LTA 230 R2
Flashing Light



Mitto B RCB02 R3
Transmitter 2 Channel



ERIS A30
Wireless Photocell



B EBA Blue Entry Andriod 4
Blue-Tooth Module