

Electromechanical road barrier

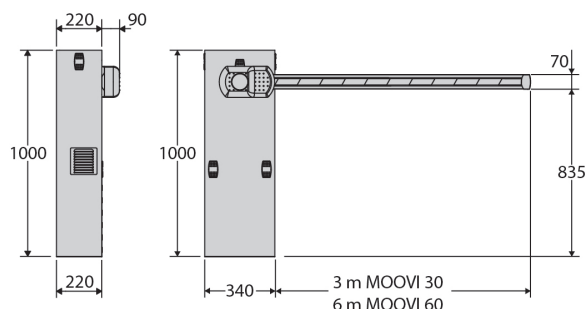


- Range of barrier for intensive use, for clear openings up to 6 metres. The wide range of accessories available makes them ideal in any context.
- Control unit with programming display and built-in dual channel receiver.
- They enable useful passages up to 6 metres to be covered thanks to the new round boom.

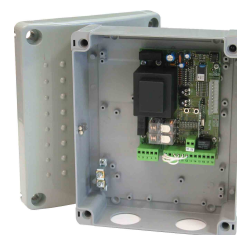
Technical Features

U-Link	No
Control Unit	ALPHA BOM
Board Power Supply	230V
Motor Power Supply	230V
Power Input	300W
Opening Time	8 sec
Closing Time	8 sec
Useful Passage	6 metre
Case Treatment	Galvanising
Type of Limit Switch	Electric incorp. and Adjustable
Slowdown	No
Locking	Mechanical
Release	Personal Release Key
Frequency of Use	Semi Intensive
Environment Conditions	from -20 °C to 50 °C
Protection Rating	IP24
Actuator Weight	35.6 kg
Impact Reaction	Sensitive Edge

Dimensions



Control Panel



* Design and specifications are subject to change without prior notice

Accessories



ART 90 Q
90° Articulated Boom



RADIUS B LTA 230 R2
Flashing Light



MITTO B RCB02 R3
Transmitter 2 Channel



GAMA AQ AT
Movable Support Leg



ERIS A30
Wireless Photocell



B EBA Blue Entry Andriod 4
Blue-Tooth Module