

## Electromechanical operator for sliding gates



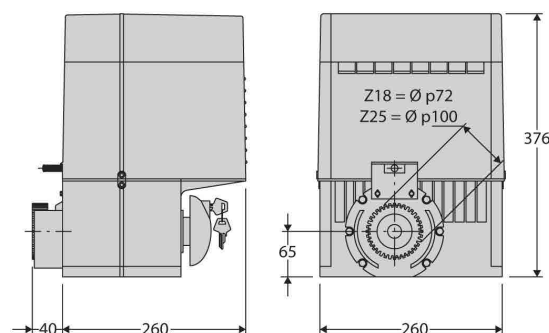
- 230V sliding gate operators for very intensive use, extremely sturdy and high performance.
- The control unit ensures complete safety thanks to the exclusive torque control system that makes these operators comply fully with the current European standards.
- Monoblock gear motor structure guaranteeing maximum resistance and performance in any installation conditions.
- Control unit with programming display and D-Track torque, speed and position management.



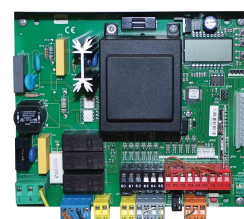
### Technical Features

U-Link	Yes
Control Unit	LEO B CBB
Board Power Supply	230V
Motor Power Supply	230V
Power Input	750W
Leaf Weight	2000 kg
Leaf Speed	9 m/min
Type of Limit Switch	Electromechanical
Pinion Module	4
Slowdown	Yes
Locking	Mechanical
Release	Knob-operated with personal key
Frequency of Use	Very Intensive
Environment Conditions	from -15 °C to 60 °C
Protection Rating	IP24
Actuator Weight	25 kg
Impact Reaction	D-Track

### Dimensions



### Control Panel



\* Design and specifications are subject to change without notice

### Accessories



RADIUS B LTA 230 R2  
Flashing Light



MITTO B RCB02 R3  
Transmitter 2 Channel



ERIS A30  
Wireless Photocell



B EBA Blue Entry Android 4  
Blue-Tooth Module