

## Electromechanical road barrier

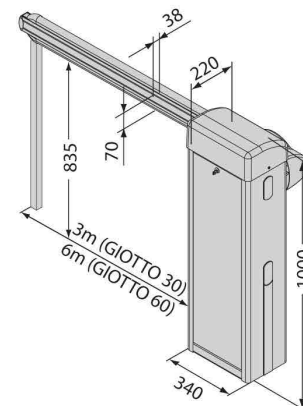


- Range of barrier for very intensive use, able to manage useful passage up to 6 metres. The wide range of accessories available makes them ideal in any context.
- Control unit located in an easily accessible position and separate from the mechanical part.
- Limit switch system with electronic adjustment that speeds up installation and ensures maximum precision in movement.

### Technical Features

U-Link	No
Control Unit	LIBRA C GS
Board Power Supply	230V
Motor Power Supply	24V
Power Input	300W
Opening Time	4 sec
Closing Time	4 sec
Useful Passage	6 metre
Case Treatment	Galvanising
Type of Limit Switch	Electronic Open/Close
Slowdown	Yes
Locking	Mechanical
Release	Personal Release Key
Frequency of Use	Very Intensive
Environment Conditions	from -10 °C to 55 °C
Protection Rating	IP54
Actuator Weight	42 kg
Impact Reaction	Sensitive Edge

### Dimensions



### Control Panel



\* Design and specifications are subject to change without prior notice

### Accessories



ART 90 Q  
90° Articulated Boom



RADIUS B LTA 230 R2  
Flashing Light



MITTO B RCB02 R3  
Transmitter 2 Channel



GAMA AQ AT  
Movable Support Leg



ERIS A30  
Wireless Photocell



B EBA Blue Entry Andriod 4  
Blue-Tooth Module