

Electromechanical operator for sliding gates



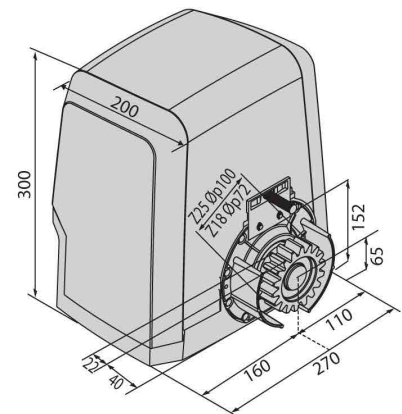
- Range of 24V for sliding gate operators for intensive use with leaves up to 1500kg, maximum leaf speed 9m/min.
- The release lever simplifies motor release and the personalised key ensure its uniqueness, for better safety.
- Front screw of the casing offer ease and convenience during installation and maintenance, even there is limited space.



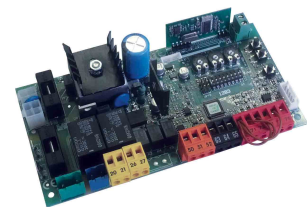
Technical Features

U-Link	No
Control Unit	HAMAL
Board Power Supply	230V
Motor Power Supply	24V
Power Input	400W
Leaf Weight	1500 kg
Leaf Speed	9 m/min
Type of Limit Switch	Electromechanical
Pinion Module	4
Slowdown	Yes
Locking	Mechanical
Release	Lever-operated with personal key
Frequency of Use	Intensive
Environment Conditions	from -20 °C to 55 °C
Protection Rating	IP24
Actuator Weight	7 kg
Impact Reaction	D-Track

Dimensions



Control Panel



* Design and specifications are subject to change without notice

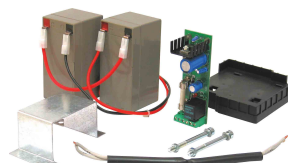
Accessories



RADIUS B LTA 230 R2
Flashing Light



MITTO B RCB02 R3
Transmitter 2 Channel



BT BAT2
Battery Kit



ERIS A30
Wireless Photocell



B EBA Blue Entry Andriod 4
Blue-Tooth Module