

## Electromechanical operator for sliding gates



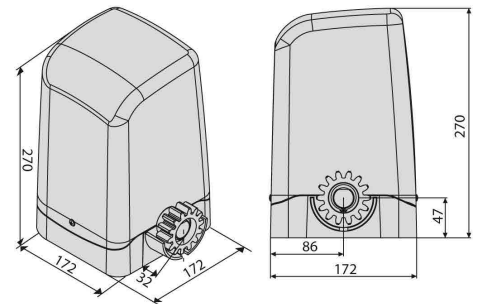
- Range of residential operators, extremely simple to install and completely safe to use thanks to full compliance with the current European standards.



### Technical Features

U-Link	No
Control Unit	A-CT BOARD
Board Power Supply	230V
Motor Power Supply	24V
Power Input	50 W
Leaf Weight	300 kg
Leaf Speed	13 m/min
Type of Limit Switch	N/A
Pinion Module	4
Slowdown	No
Locking	Mechanical
Release	Release Lever with CLS Key
Frequency of Use	Intensive
Environment Conditions	from -20 °C to 50 °C
Protection Rating	IP24
Actuator Weight	4.4 kg
Impact Reaction	Electronic Torque Limiter

### Dimensions



### Control Panel



\* Design and specifications are subject to change without notice

### Accessories



SL-BAT  
Battery Kit



GHIBLI  
Transmitter 4 Channel



A-CELLULA FLX  
Flashing Photocell



B EBA Blue Entry Android 4  
Blue-Tooth Module